

# DIESEL PORTABLE GENERATORS



“run for **more**”

D 4000 E

D 8500 E

**D 8500 E3**

D 8500 EC

D 8500 EC3

D 11000 E

D 11000 E3

D 11000 EC

D 11000 EC3

## D 8500 E3

TECHNICAL SPECIFICATIONS



CE EAC

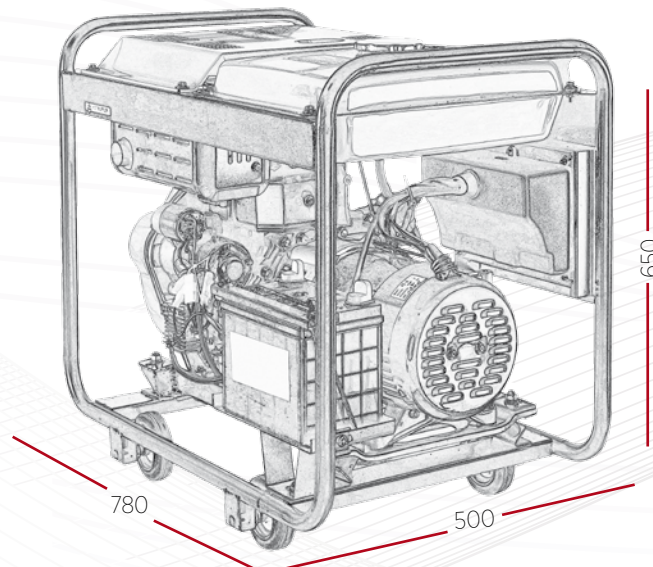


## DIESEL PORTABLE GENERATORS

Altas Portable Diesel Generators with and without Soundproof Canopy options have a compact design saving on space. With smart control and effective power system, it is delivered with generator components and produced in an easily mountable manner.

| Model          |          | D 8500 E3 |
|----------------|----------|-----------|
| Maximum Power  | kVA      | 7,5       |
| Voltage        | V        | 220/380   |
| Frequency      | Hz       | 50        |
| Power Factor   | Cos Phi  | 0,8       |
| Phase          | -        | 3         |
| Generator Type | -        | Open      |
| Engine Model   | -        | 188FA     |
| Power / Rev    | HP / rpm | 13 / 3000 |

| Generator Type |          | 1 Cylinder, 4-Stroke, Air-Cooled, Diesel |
|----------------|----------|--|
| Cubic Capacity | CC       | 456                                      |
| Operating Time | h        | 8  |
| Operating Type | -        | Electric Start                           |
| Fuel Type      | -        | Diesel                                   |
| Fuel Capacity  | L        | 15                                       |
| Oil Capacity   | L        | 1,7                                      |
| Noise Level    | dB(A) 7m | 85                                       |
| DIm (LxWxH)    | mm       | 780x500x650                              |
| Net Weight     | kg       | 107                                      |



\*Altas Generator reserves its right to change the specifications and cabin sizes in advance due to the continuing developments in the generator technology without any prior notification.