

# DIESEL PORTABLE GENERATORS



“run for **more**”

D 4000 E  
D 8500 E  
D 8500 E3  
D 8500 EC  
D 8500 EC3  
D 11000 E

**D 11000 E3**

D 11000 EC  
D 11000 EC3

## D 11000 E3

TECHNICAL SPECIFICATIONS



CE EAC

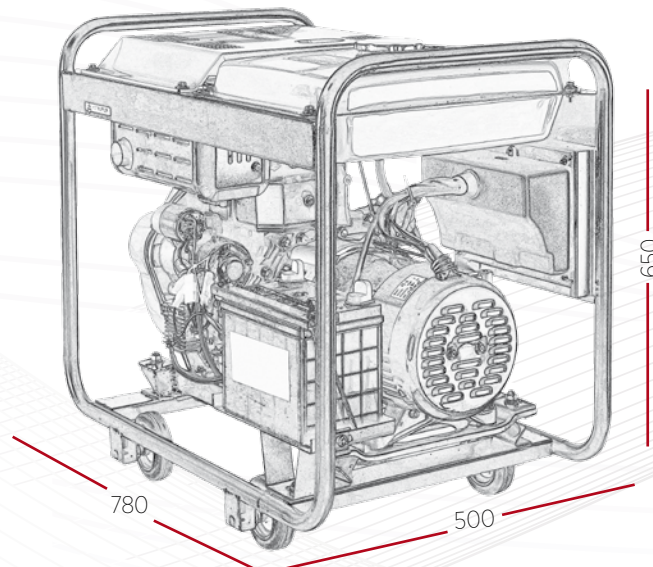


## DIESEL PORTABLE GENERATORS

Altas Portable Diesel Generators with and without Soundproof Canopy options have a compact design saving on space. With smart control and effective power system, it is delivered with generator components and produced in an easily mountable manner.

Model		D 11000 E3
Maximum Power	kVA	10
Voltage	V	220/380
Frequency	Hz	50
Power Factor	Cos Phi	0,8
Phase	-	3
Generator Type	-	Open
Engine Model	-	198FA
Power / Rev	HP / rpm	17 / 3000

Generator Type		1 Cylinder, 4-Stroke, Air-Cooled, Diesel
Cubic Capacity	CC	499
Operating Time	h	8
Operating Type	-	Electric Start
Fuel Type	-	Diesel
Fuel Capacity	L	15
Oil Capacity	L	1,7
Noise Level	dB(A) 7m	90
DIm (LxWxH)	mm	780x500x650
Net Weight	kg	130



\*Altas Generator reserves its right to change the specifications and cabin sizes in advance due to the continuing developments in the generator technology without any prior notification.